



K&K Systems, inc.
Traffic Safety Products Manufacturer

VEHICLE MOUNT ARROW BOARD

15 AND 25 LAMP SERIES

The K&K Arrow Board with Optional Low Profile Mount features an aluminum display with a flat black powder coat finish to give a smooth look and prevent rust. The optional Low Profile Mount has an auto raise/lower function using a 12V linear actuator with built-in limit switches and 6" stroke.

The truck mounted arrow board comes standard with a power cable that integrates into the vehicles existing power system. All K&K Arrow Boards have a built-in controller on the display face. Optional wireless and wired remotes are available. Go truly wireless with **TRUWIRELESS**. TruWireless eliminates all wires connecting the arrow board to the vehicle. Simply **Mount & Go**. Request the TruWireless option on your next order.

15 LAMP

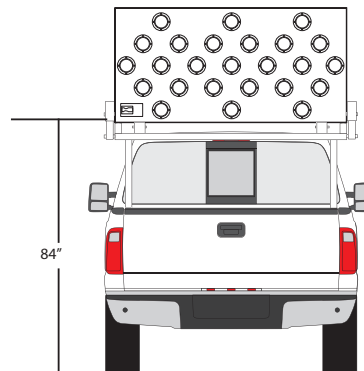


25 LAMP



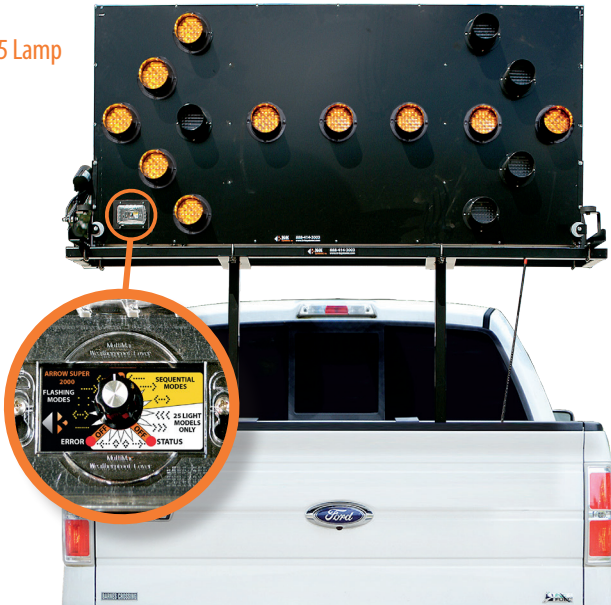
FEATURES

- ▶ Arrow Board Meets MUTCD standards
- ▶ Super Bright LED Technology
- ▶ 360° LED Visors
- ▶ 30-40 Flash Rate
- ▶ Durable Finish Resists the Elements
- ▶ Easy to Operate & Maintain Arrow Board
- ▶ Meets the 7 ft. min. mounting height with optional over-the-cab mounting hardware
- ▶ Photocell for Auto Dimming
- ▶ Powder Coat Finish
- ▶ 8 - 13 Arrow Pattern Functions
- ▶ Mounting Option
- ▶ Lightweight Construction

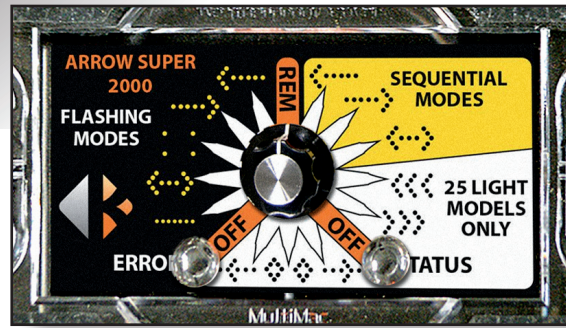


VEHICLE MOUNT ARROW BOARD SERIES

15 Lamp



Model Selection Guide	Model	Description	Lamps
	AV153060	30" x 60" Display. Black face. LED Lamps.	15
	AV253060	30" x 60" Display. Black face. LED Lamps.	25
	AV153672	36" x 72" Display. Black face. LED Lamps.	15
	AV253672	36" x 72" Display. Black face. LED Lamps.	25
	AV154896	48" x 96" Display. Black face. LED Lamps.	15
	AV254896	48" x 96" Display. Black face. LED Lamps.	25



CONTROLLER

Battery Status Indicator Light: Indicates if solar is charging and its progress. Multi-color LED indicates the battery condition (low, fair, or good).

Error LED: Indicates low voltage disconnect or over voltage condition

Mode Selector: Capable of 8 modes for 15 lamp and 13 modes for 25 lamp configurations.

OPTIONAL REMOTES AVAILABLE

The K&K Vehicle Mounted Arrow Board has a standard built-in controller on the panel face. Optional wireless or wired remotes are available for easy operation and mode selection.



TRUWIRELESS

Eliminates all wiring to the vehicle.

SIGN DISPLAY

Construction Height: standard 30" to 48"

Length: standard 60" to 96"

Width: 3 3/8"

Visibility: 15 Lamp - 3/4 mile, 25 Lamp - Up to 1 mile

Material: Extruded aluminum frame

Salt Spray Fog: 1,000 hours

UV Resistance: 500 hours

LED bulbs: 15 or 25 yellow/amber Par 46 LED's with 360° high impact visor. Push on type connectors to prevent separation due to vibration during travel and operation.

OPTIONS

- ▶ Three small amber indicator lights added to the back of display
- ▶ Hitch mount
- ▶ Low profile mount with 12V linear actuator
- ▶ Over cab mount. Also requires low profile mount.
- ▶ Tailgate mount
- ▶ Upgrade to 25', 40', or 60' power cable
- ▶ Two-tube frame for rail mount
- ▶ Upgrade to TruWireless - complete wireless operation

